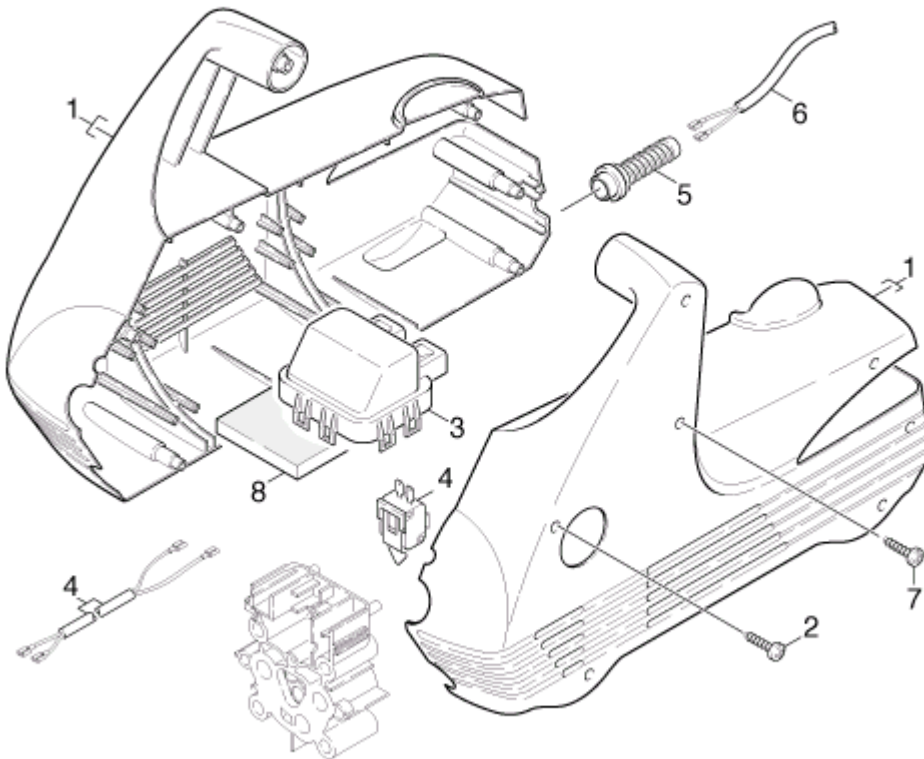


K 210 Plus (1.072-700) Parts List as of July 2001

Karcher Canada

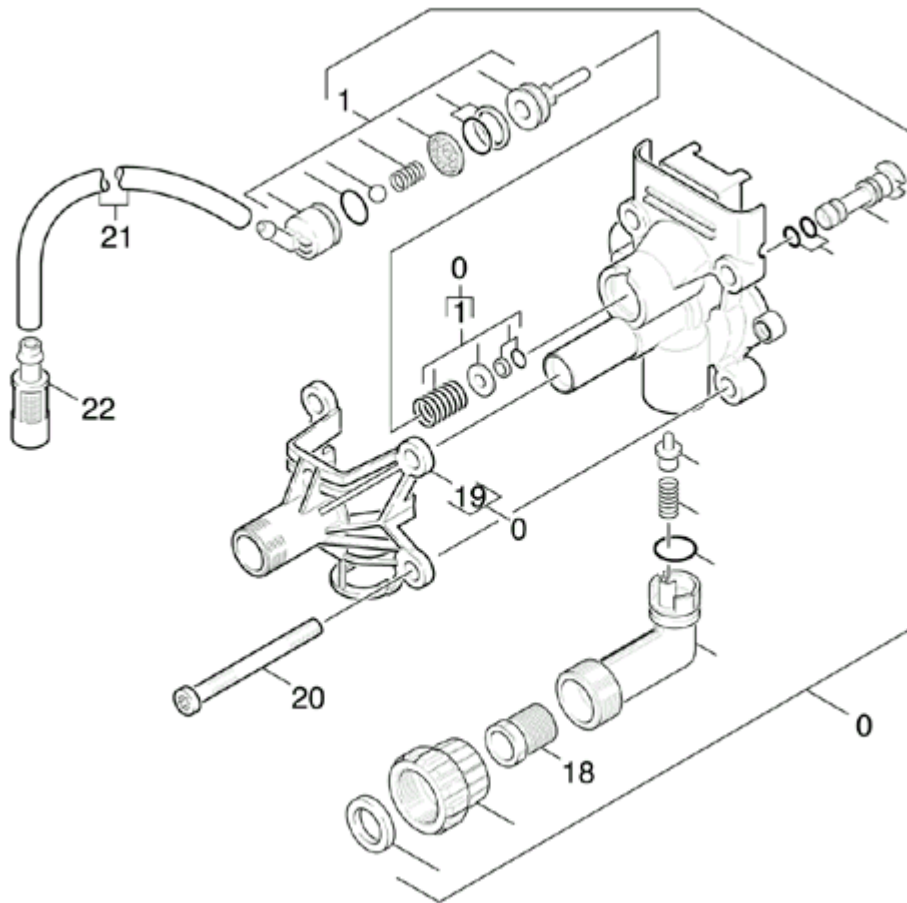
Caution: **Electrical Hazard.** Repairs or attempted repairs by untrained persons may result in damage to the pressure washer and/or personal injury as well as voiding any warranty. Customers are strongly advised to have their machine examined by a trained professional at an authorized Karcher service location.

1.0 Housing



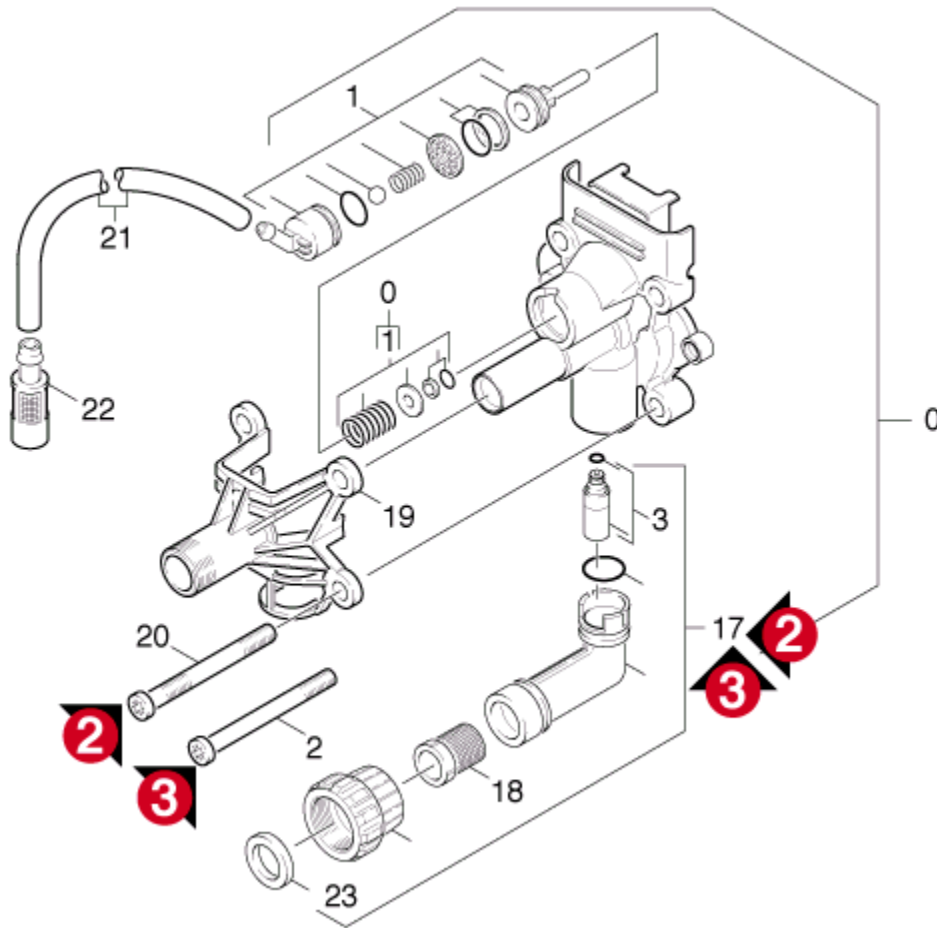
pos	description	part No.	qty	information
1	HOUSING	5.067-022.0	1	
2	SCREW	6.303-150.0	6	
3	COVER	5.063-702.0	1	
4	SWITCH	2.884-096.0	1	/ 1.072-680.0
4	SWITCH	2.884-097.0	1	/ 1.072-700.0
5	CABLE BUSHING	6.903-429.0	1	
6	CABLE	6.647-642.0	1	
6	CABLE	6.647-643.0	1	/ 1.072-700.0
6	CABLE	6.648-318.0	1	/ 1.072-680.0
7	SCREW	6.303-223.0	1	
8	MAT	5.176-008.0	1	

2.1 Pump Housing Version 1



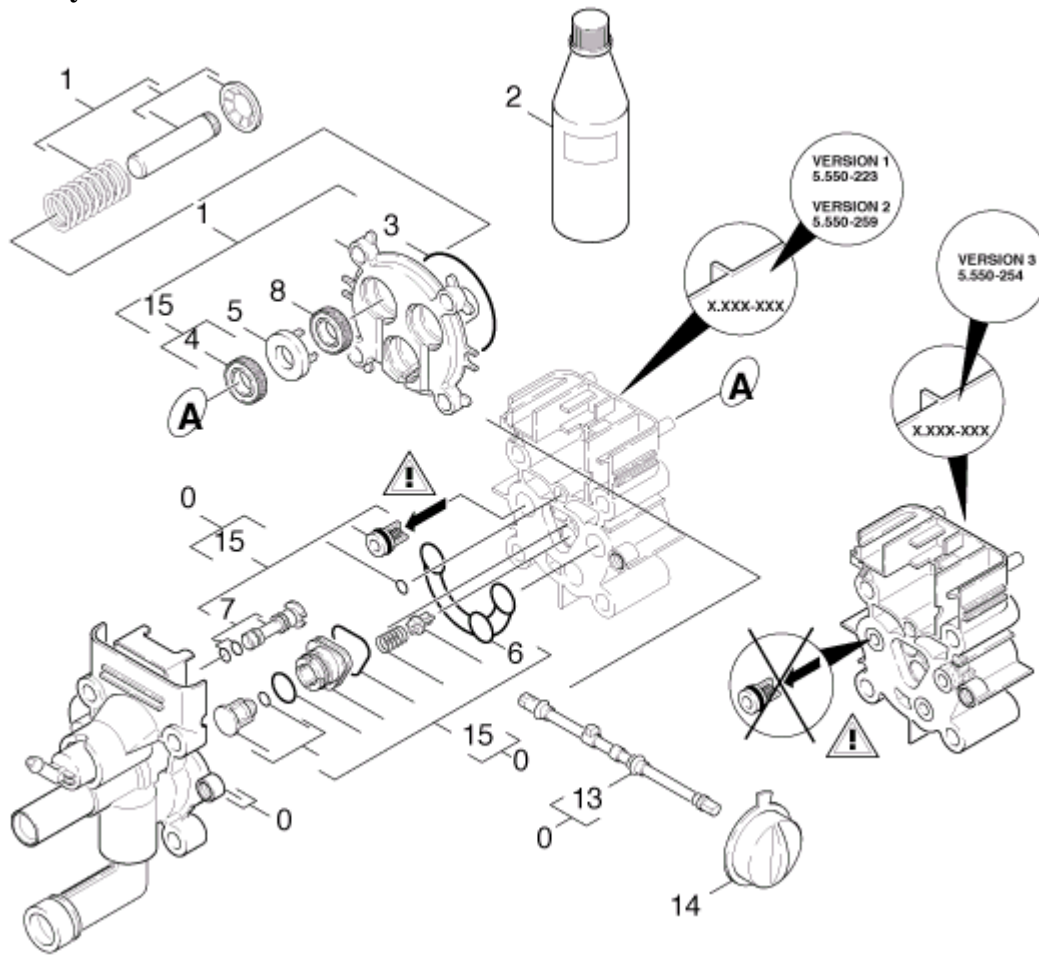
pos	description	part No.	qty	information
0	CYLINDER HEAD	4.550-400.0	1	
1	SPARE PARTS SET	2.883-820.0	1	
18	STRAINER	6.414-252.0	1	
19	LID	4.063-599.0	1	
20	OVAL HEAD SCREW	6.303-266.0	4	
21	HOSE	6.388-216.0	1	
22	FILTER	5.731-040.0	1	

2.3 Pump Housing Version 2 & 3



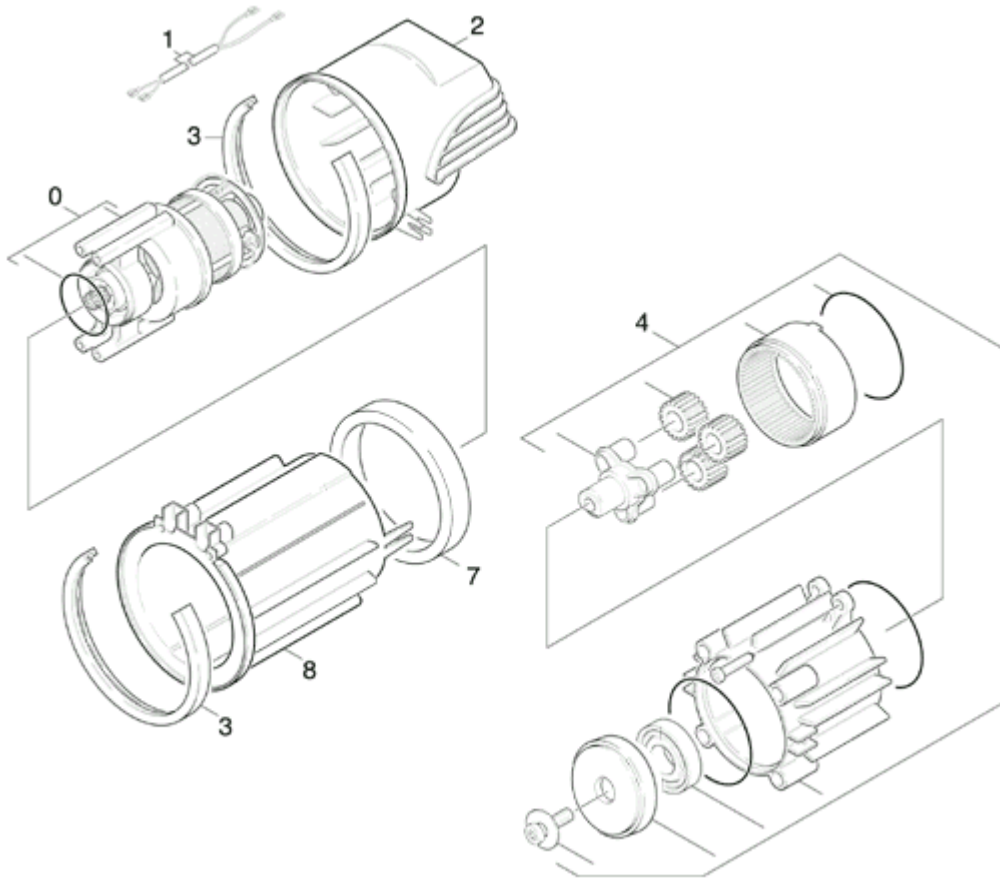
pos	description	part No.	qty	information
0	CYLINDER HEAD	4.550-400.0	1	ALSO SEE GROUP 2
CYLINDER HAED				
1	SPARE PARTS SET	2.883-820.0	1	
2	OVAL HEAD SCREW	6.303-236.0	4	VERSION 3 /
3	VALVE	4.580-354.0	1	
17	COVER	4.063-609.0	1	VERSION 2 /
17	COVER	4.063-625.0	1	VERSION 3 /
18	STRAINER	6.414-252.0	1	
19	LID	4.063-599.0	1	
20	OVAL HEAD SCREW	6.303-266.0	4	VERSION 2 /
21	HOSE	6.388-216.0	1	
22	FILTER	5.731-040.0	1	

2.4 Cylinder Head



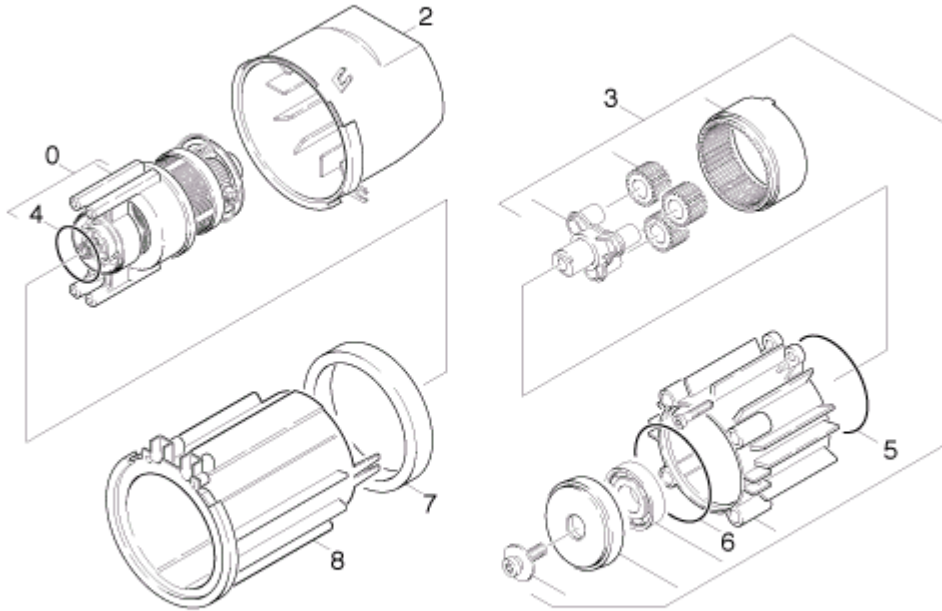
pos	description	part No.	qty	information
0	CYLINDER HEAD	4.550-400.0	1	ALSO SEE GROUP 2
HOUSING				
1	HOUSING	4.060-307.0	1	
2	ENGINE OIL	6.288-112.0	1	
3	GASKET	6.362-902.0	1	
4	GROOVED RING	6.362-875.0	3	
5	WASHER	5.115-666.0	3	
6	SEAL	5.365-209.0	1	
7	NOZZLE INSERT	4.769-041.0	1	
8	GROOVED RING	6.365-393.0	3	
13	AXLE	5.105-222.0	1	
14	HANDLE	5.321-506.0	1	
15	PUMP SET	2.883-877.0	1	

3.1 Motor Version 1



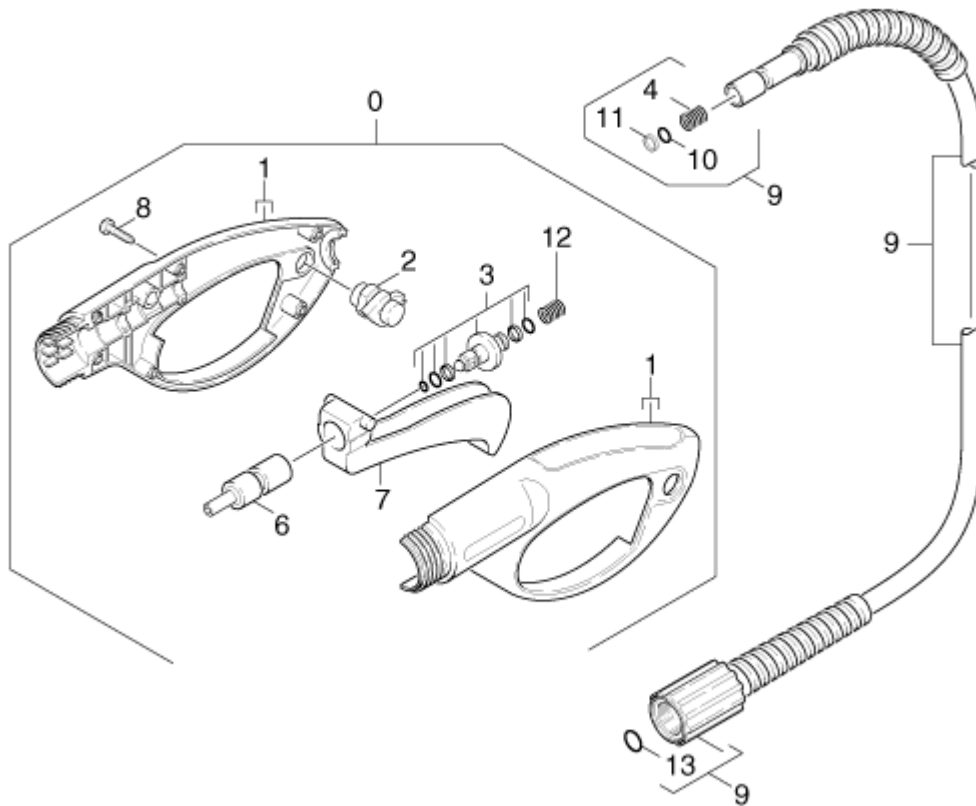
pos	description	part No.	qty	information
0	MOTOR	4.623-337.0	1	
1	SWITCH	2.884-096.0	1	
1	SWITCH	2.884-097.0	1	/ 1.072-700.0
2	COVER	5.066-854.0	1	
3	SUPPORT	5.057-064.0	2	
4	GEARING	4.060-308.0	1	
7	INSULATING MAT	5.673-073.0	1	
8	COVER	5.066-855.0	1	/ 1.072-680.0
8	COVER	5.066-919.0	1	/ 1.072-700.0

3.3 Motor Version 2



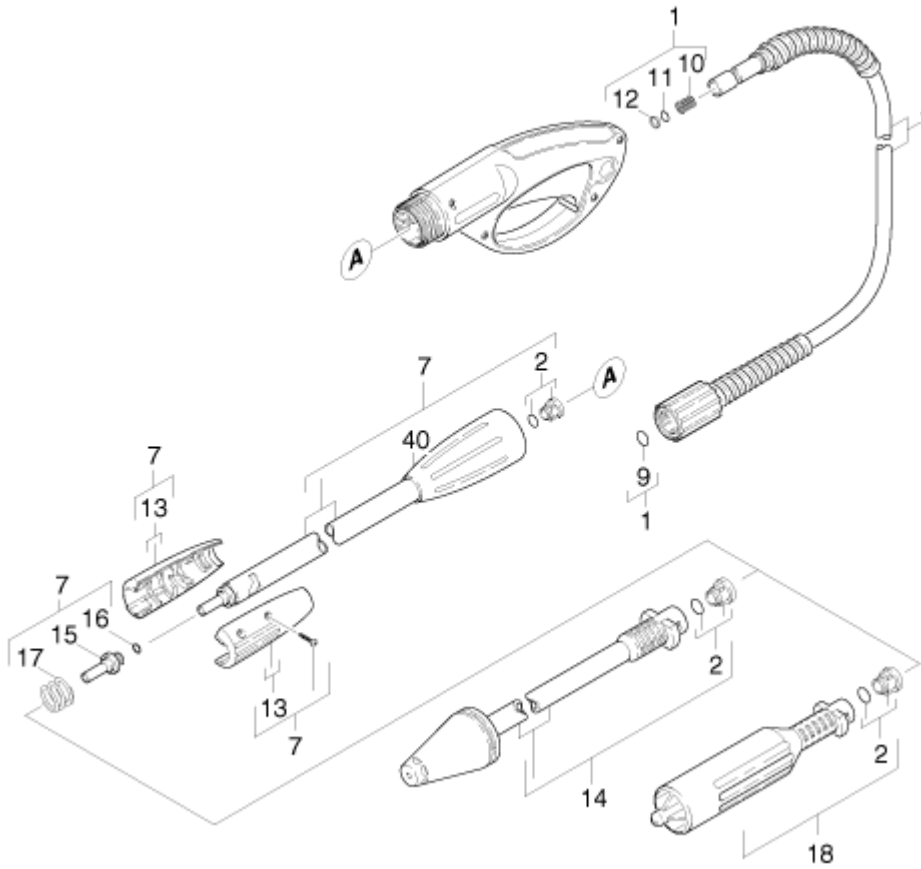
pos	description	part No.	qty	information
0	MOTOR	4.623-337.0	1	
2	COVER	5.066-854.0	1	
3	GEARING	4.060-308.0	1	
4	GASKET	6.362-979.0	1	
5	GASKET	6.362-980.0	1	
6	GASKET	6.362-902.0	1	
7	INSULATING MAT	5.673-073.0	1	
8	COVER	5.066-855.0	1	/ 1.072-680.0
8	COVER	5.066-919.0	1	/ 1.072-700.0

4.1 Trigger Gun



pos	description	part No.	qty	information
0	PISTOL	4.775-271.0	1	
1	HOUSING	9.036-120.0	1	
2	MOULDED PART	6.964-044.0	1	
3	BUSH	9.011-030.0	1	
4	SPRING	6.964-002.0	1	
6	MOULDED PART	6.964-047.0	1	
7	LEVER	6.964-048.0	1	
8	SCREW	6.964-049.0	6	
9	HIGH PRESSURE HOSE	6.964-084.0	1	
10	GASKET	9.080-014.0	1	
11	SUPPORTRING	9.079-004.0	1	
13	SPARE PARTS KIT	2.880-296.0	1	

4.2 Nozzles



pos	description	part No.	qty	information
2	SPARE PARTS KIT	2.883-111.0	3	
7	JET PIPE-LENGTHENING	9.011-099.0	1	
13	HANDLES	9.036-101.0	1	
14	ROTARY NOZZLE	4.763-977.0	1	
15	JOINING PIECE	5.031-068.0	1	
16	GASKET	6.362-690.0	1	
17	PRESSURE SPRING	5.332-349.0	1	
18	JET PIPE	9.011-165.0	1	
40	UNION NUT	9.036-438.0	1	

Karcher Canada
1-888-705-9444